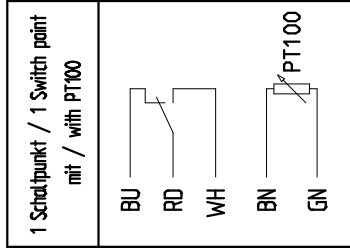
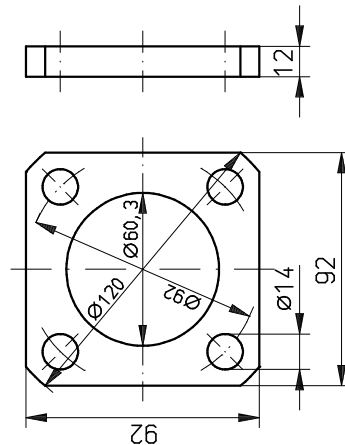


DETAIL POS. 10



| Pos. | Anzahl / Quantity | Beschreibung / Description | Sachnummer - Norm / Part- or Identification No. | Material | Ident. Nr. / Identity No. |
|------|-------------------|----------------------------------|---|---------------|---------------------------|
| 15 | 1 | SCHWIMMER / FLOAT | V44 MIT GEWINDE- NIPPEL M6 | 1,4571 316 Ti | Z5716044000400 |
| 14 | 1 | AUFNAHME / RETAINER | Ø10/12 x 99 mm GEM. HE_100456 | 1,4571 316 Ti | DTE71001004560 |
| 13 | 1 | ANSCHLAGRING / STOP RING | Ø44,5/41 x 10 mm GEM. HE_65074 P1 | 1,4571 316 Ti | DTE71P01650740 |
| 12 | 2 | ROHR / PIPE | Ø12 x 1 mm DIN 17457 | 1,4571 316 Ti | ROE71012001600 |
| 11 | 1 | DICHTUNG / GASKET | 92 x 92 x 1,5 mm MIT BOHRUNGEN / WITH BOREHOLES 1xØ65mm / 4xØ14mm | C 4500 | DIKVS452015015 |
| 10 | 1 | BLINDELANSCH / BLIND FLANGE | 92 x 92 mm GEM. DETAIL POS. 10 | 1,4571 316 Ti | |
| 9 | 1 | EINSCHRAUBSTOPFEN / PLUG | G 1 1/4" DIN 910 | 1,4571 316 Ti | ARE71108000125 |
| 8 | 1 | FLACHDICHTUNG / GASKET | Ø49 x 42 x 2 mm | C 4500 | DIKVS122049042 |
| 7 | 1 | GEWINDENIFFE / SCREWED SOCKET | G 1 1/4" | 1,4571 316 Ti | MUE71125000000 |
| 6 | 1 | ROHR / PIPE | Ø60,3 x 2 mm (L=126mm) DIN 17457 | 1,4571 316 Ti | ROE710600206AD |
| 5 | 1 | GEHÄUSEBODEN / FLAT TOP | 960 mm GEM. A_101768 | 1,4571 316 Ti | DTE71001017680 |
| 4 | 1 | KABELVERSCHRAUBUNG / CABLE GLAND | M20 x 1,5 IT 260 EExe II | PA BLAU | KVPA00M020102B |
| 3 | 1 | ANSCHLUSSEHÄUSE / TERMINAL BOX | Ø70 mm GEM. A_100185 | 1,4571 316 Ti | DTE71001001850 |
| 2 | 1 | O-RING / O-RING | Ø55 x 2 mm | FPM | DIKW0101055002 |
| 1 | 1 | GEHÄUSEDECKEL / HOUSING COVER | 970 mm GEM. A_100184 | 1,4571 316 Ti | DTE71001001840 |

| Schutzvermerk nach DIN 34 beachten / Copying of this document, and giving it to others and the use or communication of the content's, thereof, are forbidden without express authority. Offenders are liable to the payment of damages. All rights are reserved in the event of the grant of a patent or the registration of a utility model or design. | | Datum / Date | | Name | |
|---|------------------------|--|------------|--|--|
| | | Bearb. / Dwn. | 29.08.2006 | PK | |
| | | Gepr. / Chkd. | | | |
| | | KSR KREIBLITZ | | | |
| Zust. / Rev. | Änderung / Description | Datum / Date | Name | Ursprung | |
| | | | | | |
| | | Benennung / Title | | KSR NIVEAUSCHALTER FÜR SEITLICHEN EINBAU / KSR HORIZONTAL MOUNTED LEVEL SWITCH | |
| | | Zählungsummer / Dwg.no. | | HIF_92_VU/PT100_V44 | |
| | | Material / Scale | | 12 / Format / Size A3 | |
| | | Maße ohne Toleranzangabe EN ISO 13920-BE / Dimensions without tolerances EN ISO 13920-BE | | | |
| | | Zählungsummer / Dwg.no. | | 1003 - 101697 | |
| | | Kopie | | Ersatz f. Z.-Nr.: | |