

KSR horizontal float switches for use in shipbuilding



CE



General description

KSR horizontal float switches of the H-KLSA series are specifically designed for use in the shipbuilding industry. An integral test button can be used to test the switch in continuous operation without the need to un-install the unit first.

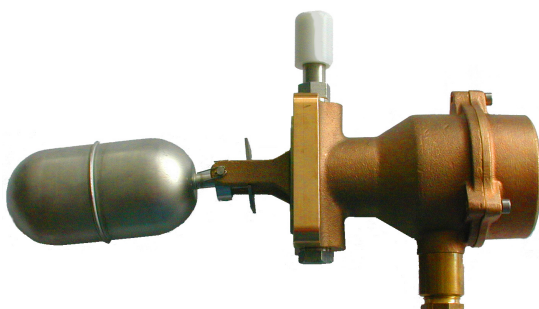
Measurement principle

KSR horizontal float switches are installed horizontal in a tank. When the float body is flooded by a liquid, it moves a lever with a built-in magnet. This built-in magnet then uses a snap-action mechanism to move a counter-magnet in the connection housing, which in turn operates a micro-switch. The contact is designed as a changeover switch so that both high-level and low-level alarms can be detected.

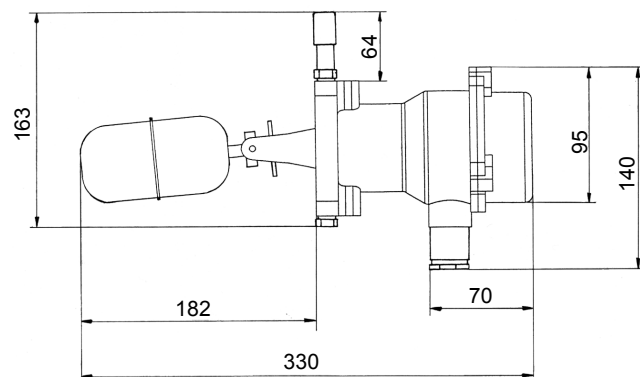
Characteristic features

Available for horizontal installation, for drinking water, dirty water, waste water, diesel, heavy oil, oil-seawater mixes and liquids contaminated with solids.

- switch head (wet and dry side) made from a single casting, without additional seals
- seawater-resistant material RG5 or RG10
- high mechanical and electrical service life of the micro-switch
- high vibration and impact resistance
- housing cover with self-locking screws
- ingress protection IP 68 / IP 65
- switching capacity 230 V AC, 6A / 10A / 15A
- test button retro-fittable (e.g. changes of shipbuilding regulations or later sale of the ships in regions with other shipbuilding regulations)
- ISO 9000 quality standards
- approved to ABS (American Bureau of Shipping), GL (Germanischer Lloyd) and RR (Russian Register)
- attractive cost-/performance ratio



All dimensions in mm



KSR horizontal float switches for use in shipbuilding



Selection of the KSR-shiping industry level switch Type: H-KLSA

In order to select the most appropriate float switch design for a given application, please specify the following parameters.

- location of installation
- orientation of installation
- type of switch (with or without float extension)
- ingress protection type
- specific gravity of the liquid
- type of liquid (degree of particles, chemical characteristics)
- pressure inside tank
- liquid temperature and ambient temperature
- air moisture
- with or without test button

Materials of construction

Level switch body: gunmetal RG5 or RG10
 Float unit: 1.4571 stainless steel (316)
 Switch body: 1.4571 stainless steel (316)
 Cable gland: brass
 Smaller parts: 1.4571 stainless steel (316)
 Jointing material: oil- and waterproof

Cable gland

Size: M 24x1.5
 Design: type w or z bolting are standard, other cable glands available on request.
 For ingress protection to IP68 the cable gland is glued into the switch using special glue and additionally sealed with a self-adhesive shrink sleeve.

Flange

Size: 92mm x 92mm
 Pressure: 40 bar

1018

Technical data switch insert D43 / D44 / D45			
maximum capacity	alternating voltage	DC inductive	DC resistive
voltage V	up to 250 V ac	up to 24 V dc	up to 24 V dc
current A - D43 current A - D44 current A - D45	max. 6 A max. 10 A max. 15 A	max. 2 A max. 3 A max. 7 A	max. 2 A max. 3 A max. 7 A
Temperature	-40 °C ... 85 °C ambient temperature		

Type	Specification
H-KLSA1	Float Switch with test button, without cable
H-KLSA1g	Float Switch with test button, without cable, with bent float extension tube
H-KLSA2	Float Switch with test button, with 3 m cable, IP 68
H-KLSA2g	Float Switch with test button, with 3 m cable, IP 68, with bent float extension tube
H-KLSA3	Float Switch without test button, without cable
H-KLSA3g	Float Switch without test button, without cable, with bent float extension tube
H-KLSA4	Float Switch without test button, with 3 m cable, IP 68
H-KLSA4g	Float Switch without test button, with 3 m cable, IP 68, with bent float extension tube



KSR KUEBLER Niveau-Messtechnik AG
 D-69439 Zwingenberg
 Tel: +49(0)6263/87-0 Fax: +49(0)6263/87-99
 info@ksr-kuebler.com
 http://www.ksr-kuebler.com
KUBLER FRANCE S.A.
 F-68700 Cernay

KSR KUEBLER (UK)
 Level Measurement & Control Ltd.
 GB-Molesey, Surrey, KT8 1QZ

KSR KUEBLER (SINGAPORE)
 Level Measurement & Control Pte Ltd
 SGP-Singapore 608609

KSR KUEBLER (USA)
 Level Control Products of America, Inc.
 Charlotte, NC 28273

SHANGHAI KSR-KUEBLER
 Automation Instrument Co. Ltd
 Shanghai/China